

PRE-ASSEMBLED
mechanism

NO SCREW / GLUE
needed for fixing

HIDDEN HINGE
free expression of design

TWO VERSIONS
with/without front hinge in metal

EASY TO INSERT
into temple, reducing time and costs

WEAR RESISTANCE
over 50,000 open/close cycles

NO ROCKING
Self Aligning System

PULLING RESISTANCE
(MECHANISM)
> 250 N

PULLING RESISTANCE
(HINGE IN TR90)
> 250 N

PATENTED

COVERED BY INTERNATIONAL PATENT

VISYFIT
hinge for front

VISYFIT
hinge for temple



VlasyFit® XL

Invisible mechanism for freedom of expression

Hinge size 3.50 mm with pre-assembled mechanism



Special spring hinge

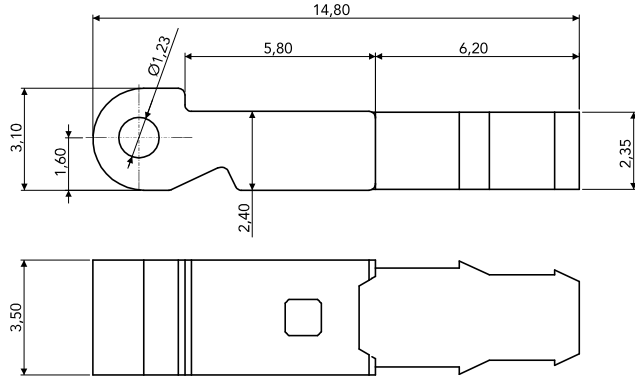
FOR

Injection
and **Combination Frames**

PATENTED

VISYFIT® XL 3.5

Special Spring Hinge
for Injection Frames

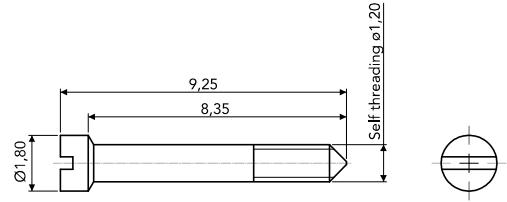


ASSEMBLED HINGE

SOFT VERSION	03EL21634000
HARD VERSION	03ELC4963A1BNX

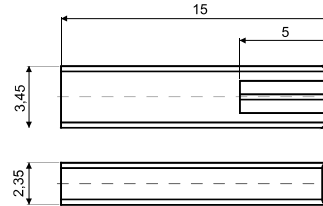
Material: **Nickel silver**

SCREWS



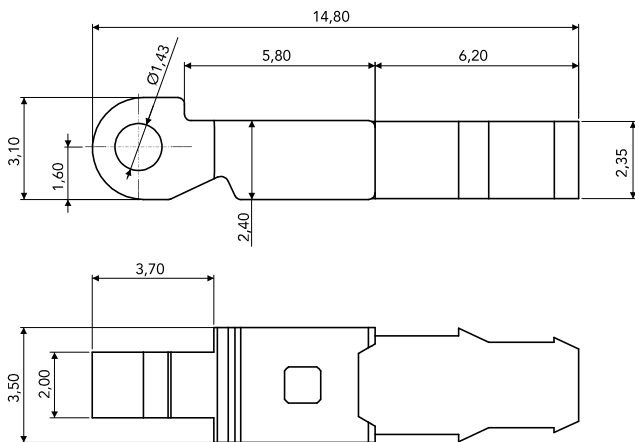
SELF THREADING SCREW 07VI18092500

Material: **Stainless steel**



BARRELING CAP 09CAA0363A1WYX

Material: **Plastic**

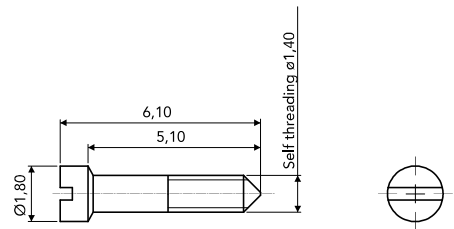


ASSEMBLED HINGE

SOFT VERSION	03ELA0279A1BNX
HARD VERSION	03ELC4846A1BNX

Material: **Nickel silver**

SCREWS



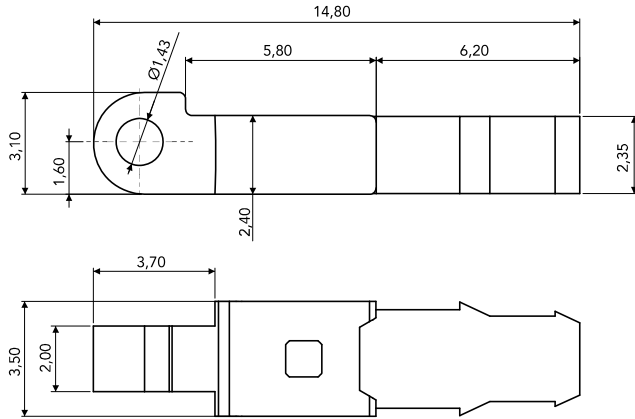
SELF THREADING SCREW 07VIA0366A1BYX

Material: **Stainless steel**

PATENTED

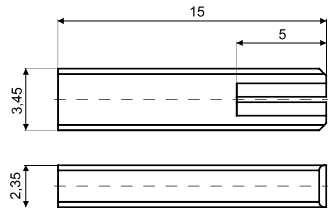
VISYFIT® XL 3.5

Special Spring Hinge
for **Combination Frames**



ASSEMBLED HINGE 03ELB1238A1BNX

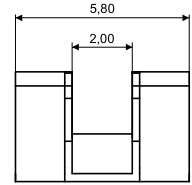
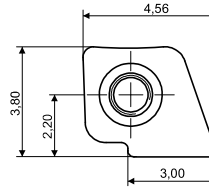
Material: **Nickel silver**



BARRELING CAP 09CAA0363A1WYX

Material: **Plastic**

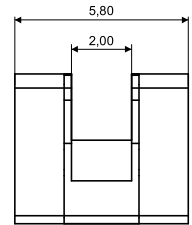
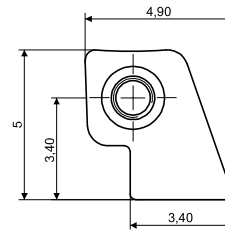
HINGES



SOLDERING HINGE

03FRC2868A1BY0

Material: **Nickel silver**



STEP HINGE

03FRC2867A1BY0

Material: **Nickel silver**

SCREWS

MINUS SCREW M1.40

LS	CODE
6.10	07VIC2865A1BYX

Material: **Stainless steel**

