

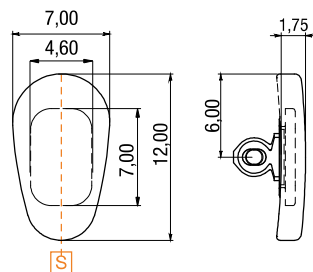
**TEARDROP SHAPE** | 12mm

Regular Pad

**ERGOFEEL® SYSTEM · Self Aligning**

Material: Soft MPM Crystal Cold

Insert: PC insert "C Shape"



Neutral	
ERGOFEEL® SYSTEM	71NPC1339A1WYX

Personalized	
ERGOFEEL® SYSTEM	C1339
Personalization on "C" insert (see pag.20-21)	IP HS IPHS DHS HSE GPIE

Detailed offer on request

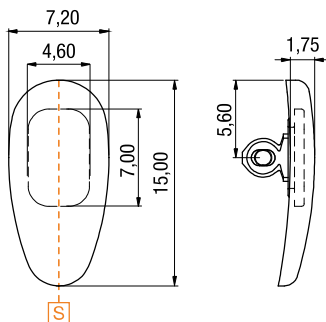
**TEARDROP SHAPE** | 15mm

Regular Pad

**ERGOFEEL® SYSTEM · Self Aligning**

Material: Soft MPM Crystal Cold

Insert: PC insert "C Shape"



Neutral	
ERGOFEEL® SYSTEM	71NPC4089A1WYX

Personalized	
ERGOFEEL® SYSTEM	C4089
Personalization on "C" insert (see pag.20-21)	IP HS IPHS DHS HSE GPIE

Detailed offer on request

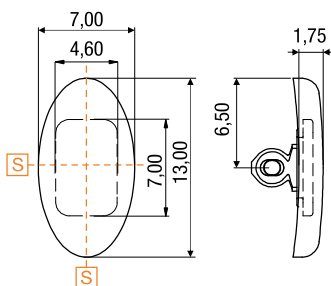
**OVAL SHAPE** | 13mm

Regular Pad

**ERGOFEEL® SYSTEM · Self Aligning**

Material: Soft MPM Crystal Cold

Insert: PC insert "C Shape"



Neutral	
ERGOFEEL® SYSTEM	71NPC7024A1WYX

Personalized	
ERGOFEEL® SYSTEM	C7024
Personalization on "C" insert (see pag.20-21)	IP HS IPHS DHS HSE GPIE

Detailed offer on request

PATENTED

# MPM - MEDICAL PVC MATERIAL

Neutral / Personalized plastic insert

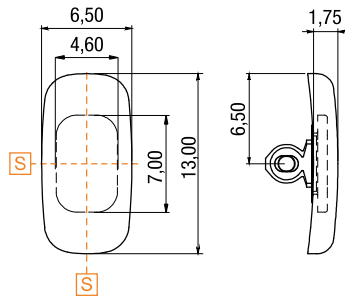
## RECTANGULAR SHAPE 13mm

Regular Pad

### ERGOFEEL® SYSTEM · Self Aligning

Material: Soft MPM Crystal Cold

Insert: PC insert "C Shape"



Neutral	
ERGOFEEL® SYSTEM	71NPC1338A1WYX

Personalized	
ERGOFEEL® SYSTEM	C1338
Personalization on "C" insert (see pag.20-21)	IP HS IPHS DHS HSE GPIE

Detailed offer on request

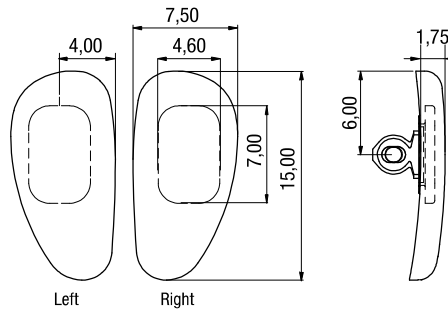
## "D" SHAPE 15mm

Regular Pad

### ERGOFEEL® SYSTEM · Self Aligning

Material: Soft MPM Crystal Cold

Insert: PC insert "C Shape"



Neutral	
ERGOFEEL® SYSTEM	71NPC1337A1WY0

Personalized	
ERGOFEEL® SYSTEM	C1337
Personalization on "C" insert (see pag.20-21)	IP HS IPHS DHS HSE GPIE

Detailed offer on request