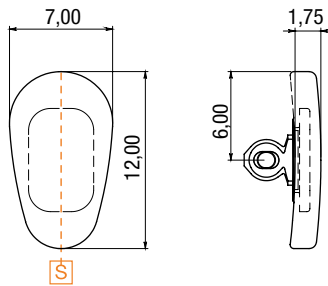




Neutral plastic insert



STANDARD

SOFT Pad

ERGOFEEL® SYSTEM: 71NPC1339A1WYX

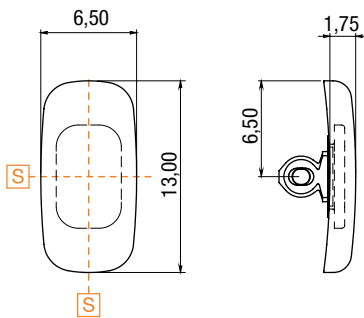
Shape: 2

Material: Soft MPM Crystal Cold

Insert: PC insert "C Shape"

ALTERNATIVE

Material: Soft MPM Crystal Warm - MOQ 20,000 pairs



STANDARD

SOFT Pad

ERGOFEEL® SYSTEM: 71NPC1338A1WYX

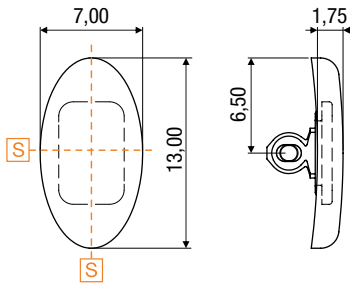
Shape: 93

Material: Soft MPM Crystal Cold

Insert: PC insert "C Shape"

ALTERNATIVE

Material: Soft MPM Crystal Warm - MOQ 20,000 pairs



STANDARD

SOFT Pad

ERGOFEEL® SYSTEM: 71NPC7024A1WYX

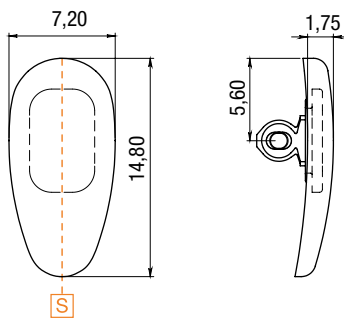
Shape: 184

Material: Soft MPM Crystal Cold

Insert: PC insert "C Shape"

ALTERNATIVE

Material: Soft MPM Crystal Warm - MOQ 20,000 pairs



STANDARD

SOFT Pad

ERGOFEEL® SYSTEM: 71NPC4089A1WYX

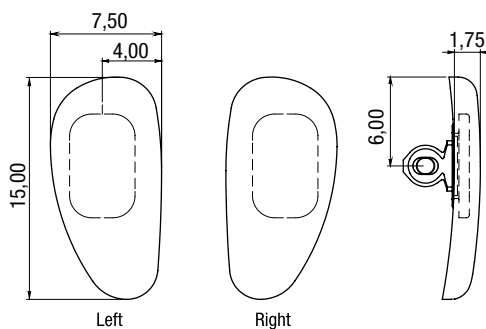
Shape: 102

Material: Soft MPM Crystal Cold

Insert: PC insert "C Shape"

ALTERNATIVE

Material: Soft MPM Crystal Warm - MOQ 20,000 pairs



STANDARD

SOFT Pad

ERGOFEEL® SYSTEM: 71NPC1337A1WY0

Shape: 101

Material: Soft MPM Crystal Cold

Insert: PC insert "C Shape"

ALTERNATIVE

Material: Soft MPM Crystal Warm - MOQ 20,000 pairs